

PRODUCT SPECIFICATIONS

Elkay WaterSentry® Lead + Microplastics NSF/ANSI Certified Filter (Bottle Fillers). Overall dimensions are 3-1/8" x 3-1/8" x 9-1/2".



Special Features:	Filtered
Dimensions:	3-1/8" x 3-1/8" x 9-1/2"
Shipping Weight:	2 lbs.
Flow Rate:	1.5 GPM (5.6 L/m)
Capacity:	3000 gal. (11356 L)
Temperature:	40-100°F (4-38°C)
Initial Pressure Drop:	2-5 PSI (14-34 kPa)
Maximum Pressure:	105 PSI (724 kPa)
Minimum Pressure:	20 PSI (138 kPa)
Water Inlet:	3/8" (9.5mm) O.D. tube
Water Outlet:	1/4" (6.4mm) O.D. tube

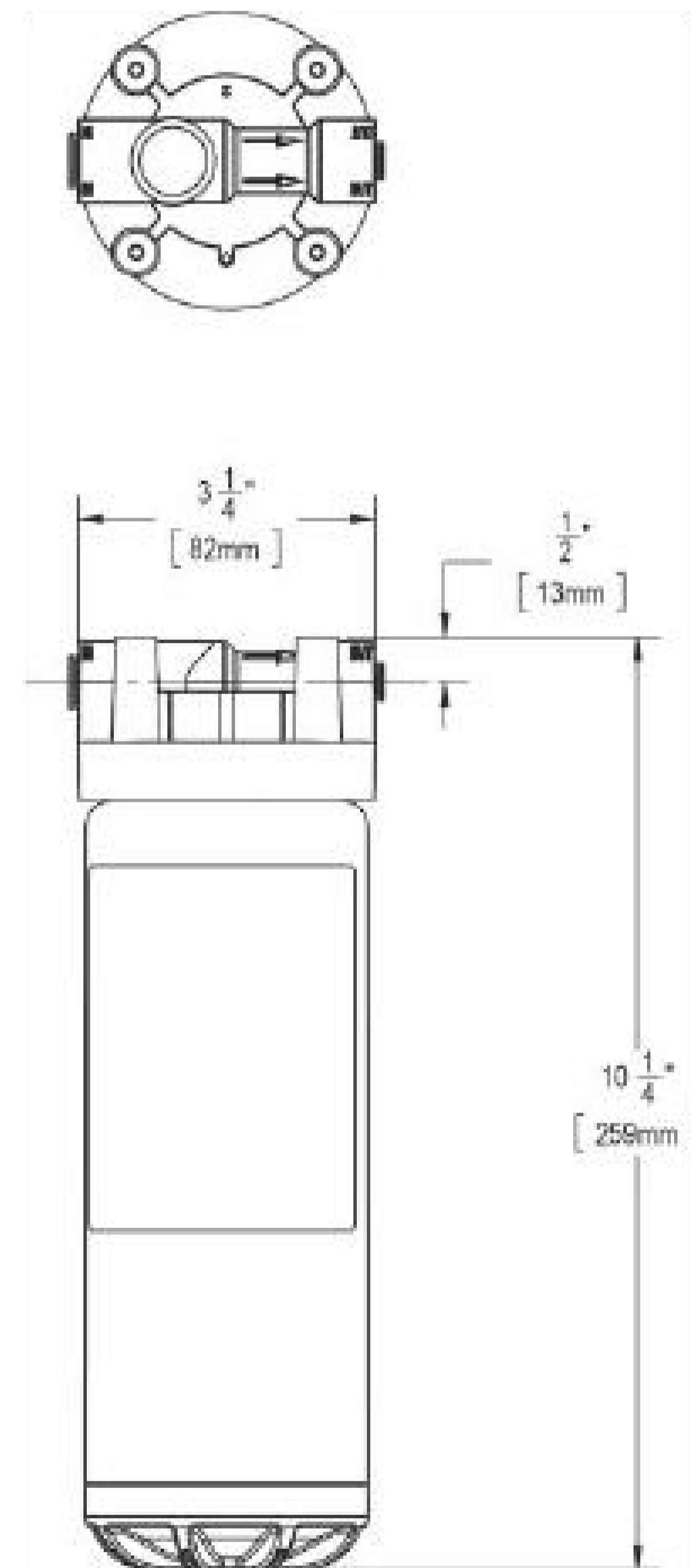
Special Note: Replacement filter for use in ezH2O Bottle Filling Stations, Liv Pro Water Dispensers, and Universal EWF3000 WaterSentry systems.

- Replacement filter for models with WaterSentry® filtration system (Bottle Fillers & Liv Pro).
- Filter should be replaced every 3,000 gallons (expires 1 year after installation).
- Equipped with quick-disconnect, 1/4-turn installation, as well as automatic inlet shut-off valve that closes when filter is removed.
- Designed to reduce lead, particles and chlorine. Also reduces odors and discoloration from incoming water.
- Filter is tested and certified to NSF 42 and 53 for lead, Class 1 particulate, chlorine taste and odor reduction.
- Filter is tested and certified to NSF/ANSI 401 for the reduction of microplastics.

Included with Product: 3000 gallon replacement filter cartridge

A Century of Tradition and Quality.
For more than 100 years, Elkay has been making innovative products and providing exceptional customer care. We take pride in offering plumbing products that make life easier, inspire change and leave the world a better place.

Product Compliance: NSF 372 (lead free)
NSF 42
NSF 53
NSF 401



PART: _____ QTY: _____
 PROJECT: _____
 CONTACT: _____
 DATE: _____
 NOTES: _____
 APPROVAL: _____