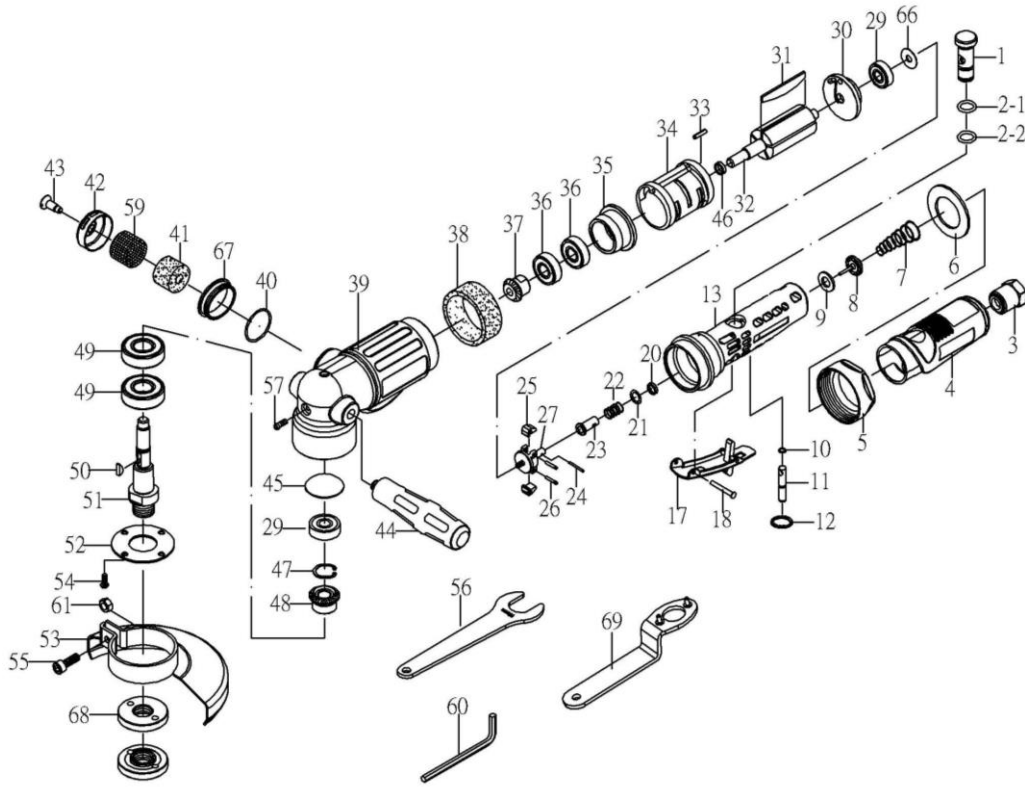


5" AIR ANGLE GRINDER



ITEM NO.	DESCRIPTION
1	REGULATOR
2-1	O-RING (P10)
2-2	O-RING (P9)
3	INLET BUSHING
4	PROTECTING RUBBER
5	CLAMP NUT
6	WASHER
7	SPRING
8	VALVE
9	WASHER
10	O-RING (3.5*1.4)
11	VALVE STEM
12	SNAP RING
13	HOUSING
17	LEVER
18	PIN (3*24L)
20	SPRING HOLDER
21	WASHER (14*9.5*0.5T)
22	SPRING (9.7*1.2T*16.5)
23	GOVERNOR VALVE
24	PIN (2*11.8L)
25	GOVERNOR WEIGHT
26	GOVERNOR PIN
27	GOVERNOR CAGE
29	BEARING (608ZZ)
30	REAR PLATE
31	ROTOR BLADE
32	ROTOR
33	PIN (3*8L)
34	CYLINDER

ITEM NO.	DESCRIPTION
35	FRONT PLATE
36	BEARING (6000ZZ)
37	BEVEL GEAR (13T)
38	SILENCER
39	ANGLE HOUSING
40	O-RING (26.7*1.78 A-023)
41	SILENCER
42	EXHAUST SLEEVE
43	SCREW (M5*0.8P*14L)
44	HANDLE
45	SPACER
46	BEARING SPACER
47	RETAINING RING (ISTW-10)
48	BEVEL GEAR (17T)
49	BEARING (6202ZZ)
50	KEY
51	SPINDLE (M14*2P)
52	FACE PLATE
53	5" GUARD
54	SCREW (M5*12L)
55	SCREW (M6*16L)
56	STOP WRENCH (19MM)
57	SCREW (M5*6L)
58	STAINLESS MESH
60	HEX (5MM)
61	NUT (M6*5T)
66	WASHER (10*5.2*0.4)
67	BUSHING
68	DISC NUT
69	DISC SPANNER

2011/09