



## TECHNICAL DATASHEET

### TAB MAGIC TRUCK TM13M

#### ORDER INFORMATION

TAB ID  
**153612**

Short Code  
**TM13M**

DIN Marking  
**63544 SMF**

EAN Code  
**3838807029668**

Quantity per EU/CNT pallet  
**24/40 pcs**

#### TECHNOLOGY

Primary Function  
**Engine Start**

Battery Technology  
**Flooded**

Grid Type (pos/neg)  
**Casted/Concasted**

Grid Alloy (pos/neg)  
**Ca/Ca**

Separator  
**PE**

Electrolyte (g/cm<sup>3</sup>)  
**1,28**

#### TECHNICAL INFORMATION

Voltage (V)  
**12**

Capacity C20 (Ah)  
**135**

CCA -18°C EN (A)  
**850**

RC (min)  
**258**

LxWxH (mm)  
**509x175x196/223**

Total Weight (kg)  
**33.3**

#### BOX DESIGN

Box Type  
**MAC110**

Cover Type  
**SMF**

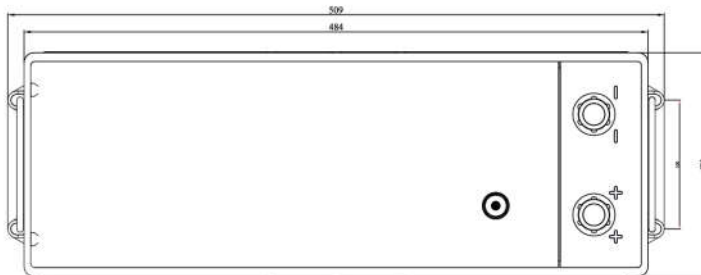
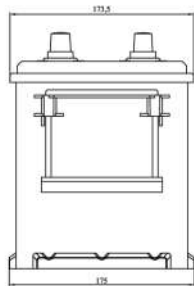
Colour  
**Black**

Layout  
**3**

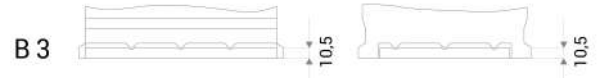
BHD  
**B3**

Terminal  
**1**

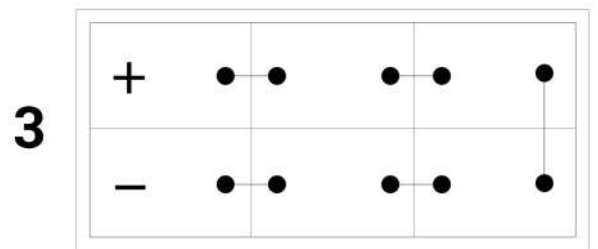
## DRAWING



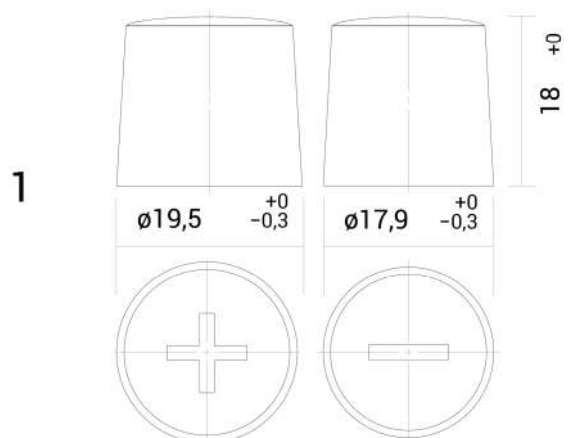
## BHD



## LAYOUT



## TERMINAL



## TECHNICAL DATASHEET

# TAB MAGIC TRUCK TM13M